

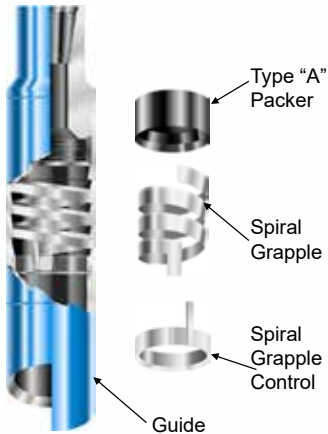


## **Fishing tools Basic Catalog**

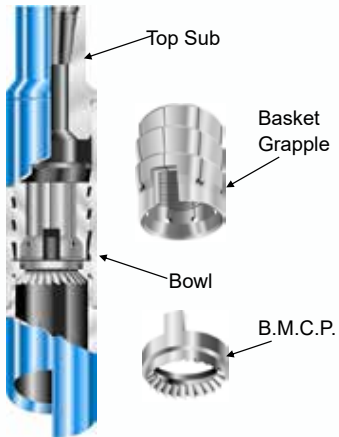
# **Fishing Tools Product Line**

- External Catch Tools
- Internal Catch Tools
- Junk Catch Tools
- Milling & Cutting Tools
- Stroking tools
- Repair & Remedial Tools

# Series "150" Overshot



W/ Spiral Grapple Parts



W/ Basket Grapple Parts

# Spiral & Basket Grapple



# Optional Overshot Accessories



**Extension Sub** installed between the Top Sub and the Bowl. Will permit lowering of the overshot over the fish far enough to insure a secure engagement and perfect pack off.

Extension Sub



Oversized Guide

**Oversized and Wallhook guide** used if hole size is greater than fish size.

Installed so the overshot does not pass alongside the fish. It will insure alignment with the fish.



**The Mill Extension and Mill guide** interiors are faced with **Itcoloy** to a size that will mill away flared or jagged fish to enable it to pass up into and be engaged by the Grapple in the Bowl. The Mill Guide is used in place of standard or oversized guide.

Mill Extension



Itcoloy Mill Guide

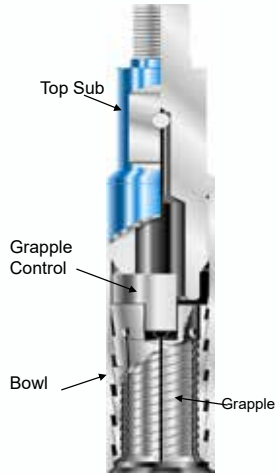
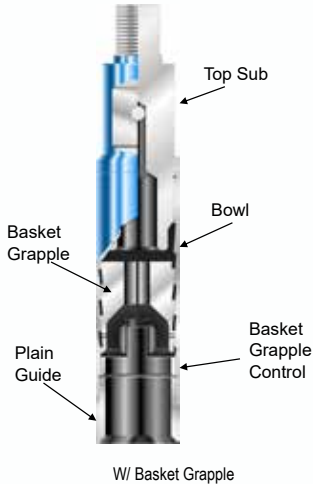
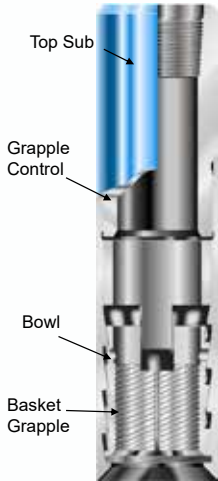


Wallhook Guide

## Series "70" Overshot

## Series "10" Overshot

## Series "20" Overshot

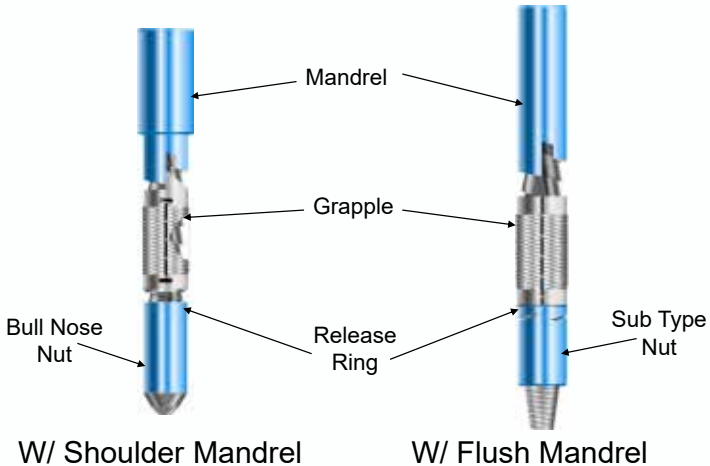


# Catch Tools

## Spears

Dependable, inexpensive and simple tool of engaging a fish  
Internally

# Itco® Spear Assembly



# Itco® Spear Assembly

Need to know:

- Shoulder or flush type
- If shoulder type – what “C” dimension
- Tool joint connection and catch size
- Standard bull nose nut or alternative



Mill Type  
Nut



Sub Type  
Nut



Side Hill  
Nut

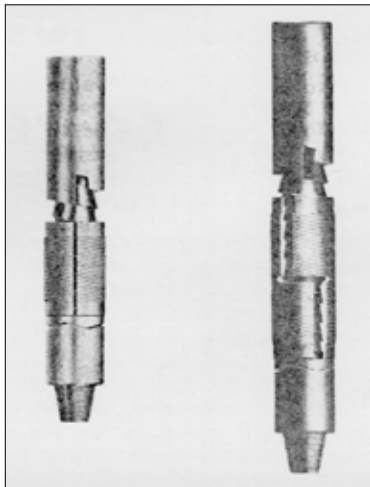


Bull Nose  
Nut



# Itco® Spear Types

Std. Duty



Heavy duty

# Rotary Taper Taps (Catch Tools)

Simple, Rugged, dependable Internal catch fishing tools



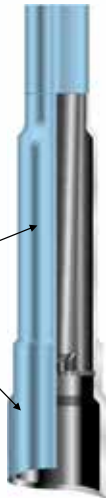
Wickers

Optional  
flutes

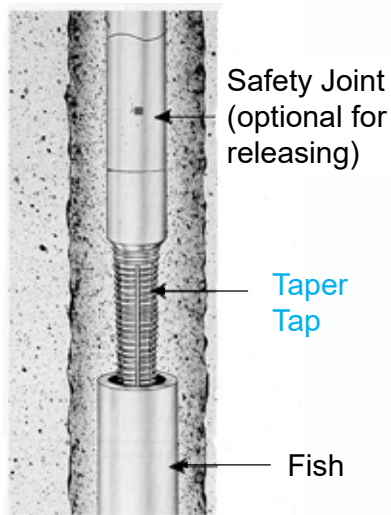


Thread Protector  
for Skirt Threads

Optional Skirt  
& Guide



# Taper Taps



# Rotary Die Collars (Catch Tools)

Simple, rugged, dependable External catch fishing tool



Plain Bottom

Type "A" Die Collar



Guide

Type "B" Die Collar



Oversized Guide

# Impression Block (Catch Tools)

- Used to take impression of the top of the fish.
- May be run on Tubing or Wire line.



Lead

# Junk Basket (Catch Tools)

ITCO Type Junk Basket  
Reverse Circulation Junk Basket  
Full Flow Reverse Circulation Junk Basket

Junk Catcher



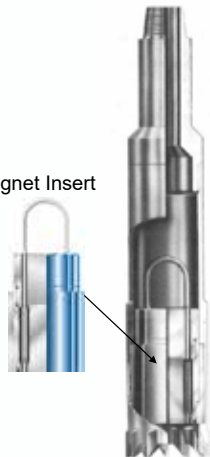
Type "A" & "B" Shoes



Type C Shoes



Magnet Insert



## ITCO Type



No reverse circulation

Contains 2 Catchers

Lower Catcher has long fingers.

Upper Catcher has short fingers.

## Reverse Circulation



Uses drop ball for reverse circulation

Contains 1 Catcher (long fingers)

Barrel made up of Inner and Outer Barrel welded together

## Full Flow Reverse Circulation



Uses drop ball for reverse circulation  
Pressure shears pins to shift sleeve and reverse circulate.

Contains 2 Catchers  
Lower Catcher has long fingers.

Upper Catcher has short fingers.

Barrel made up of Inner and Outer Barrel welded together

# Fishing Magnet (Catch Tools)



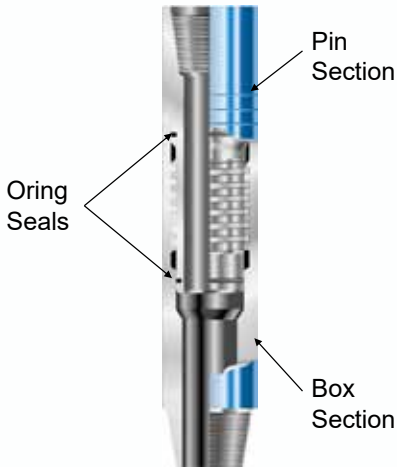
Flat Bottom Guide



- Junk must be magnetic.
- May be run on pipe or wireline.
- OD should be close to hole size.
- If possible, the Magnet should be rotated to stir up junk, but the Magnet is not a mill and rotation should be limited.
- Lipped and Mill Guides can help prevent junk from falling off while pulling out of hole.

# Coarse Thread Safety Joint

- Designed specifically for individual tool joint dimensions and strengths.
- Right hand tools release with left hand torque.
- Designed to release between 25% and 40% of makeup torque.



# Cutters (Catch Tools)

## Internal Cutters

- Pressure pipe cutter (Hydraulic)
- ITCO Type Cutter (Mechanical)

## External Cutters

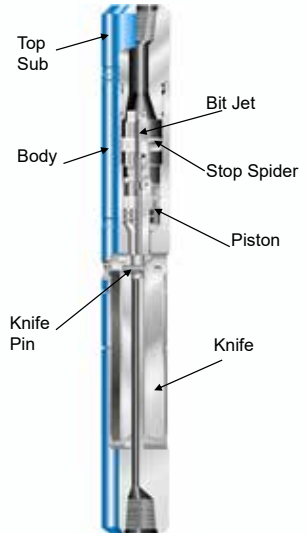
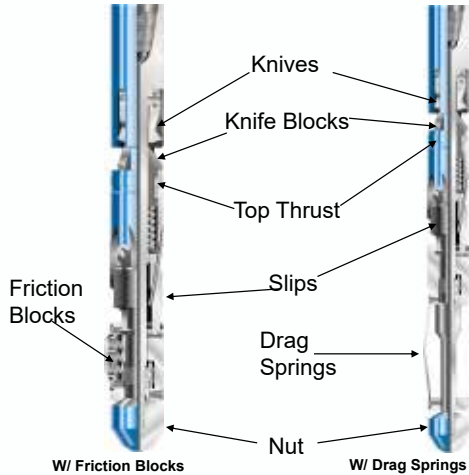
- Standard External (Mechanical)
- Hydraulic External Cutters

For Cutting tubing, casing from 1-1/2" TBG – 20-3/4" CSG.



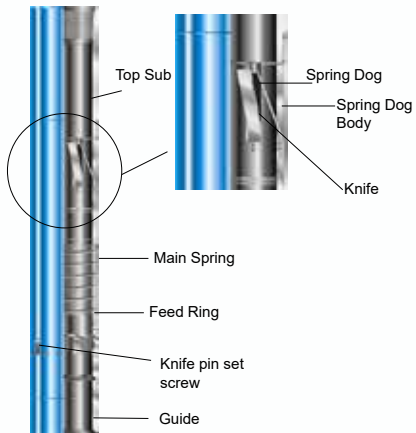
# (Internal ) Itco Type

# Pressure Pipe Cutters

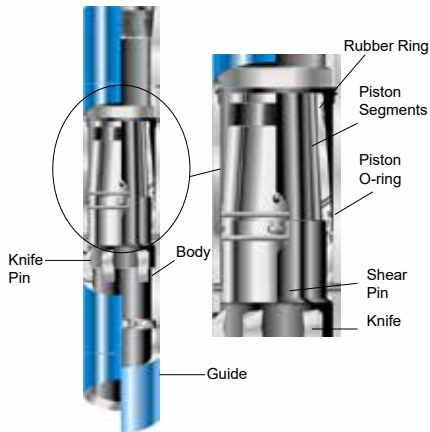


# Mechanical External

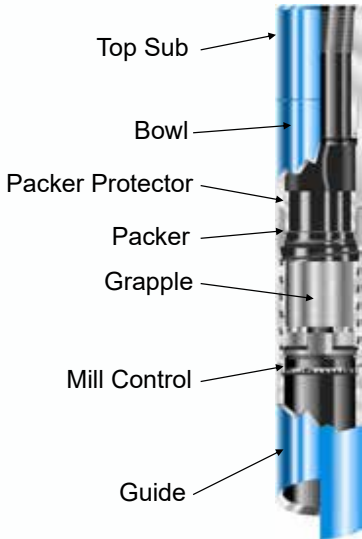
# Hydraulic External Cutters



W/ Spring Dogs



# Packer Type Casing Patch (Remedial Tools)



- External Catch tool
- Designed for both internal and external pressure.
- Most sizes rated to 5,000 PSI.
- No Extension Sub available.

---

- **Required Information:**

- Casing OD
- Connection

# High-Pressure Casing Patch 15K

- Design features:

- Variable pressure rating dependant on manufactured O.D.
- Nominal 15,000 PSI pressure ratings. (smaller tools as high as 20,000 PSI)
- Extension Subs optional.
- New, longer Basket Grapples with dual rings
- Packer Protector shear pins optional
- Redundant seals
- Minimum possible OD.
- No Seals in the Mill Control



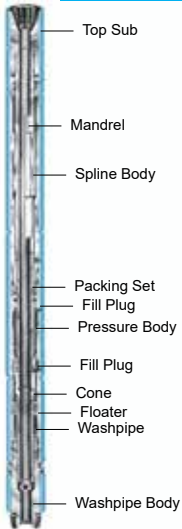
# Stroking Tools

**Fishing Jars**

**Fishing Intensifiers**

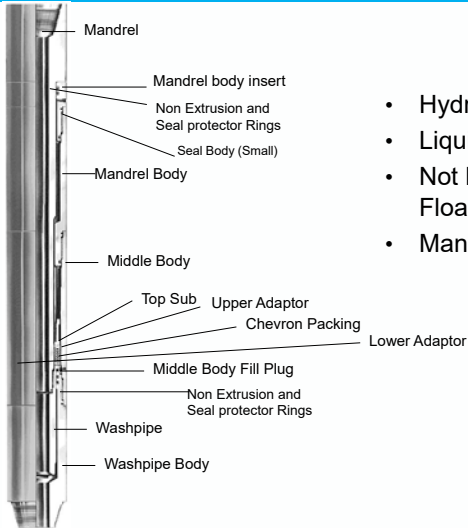
**Fishing Bumper Subs**

# Fishing Jar



- Hydraulic Jar
- Uses Cone & Seal Body metering mechanism.
- Hydrostatically balanced (Has Floater Piston)
- Many have 2-piece Mandrels.

# Fishing Intensifier



- Hydraulic Intensifier
- Liquid Spring Fluid filled (Silicone)
- Not Hydrostatically balanced (No Floater Piston)
- Many have 2-piece Mandrels

# Fishing Jar



Fishing Jar

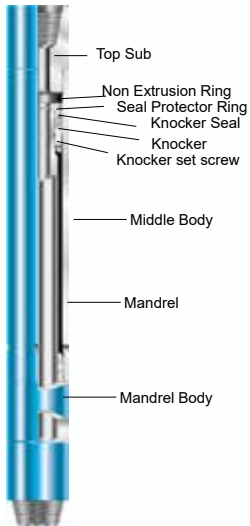


Intensifier



Lubricated Bumper Sub

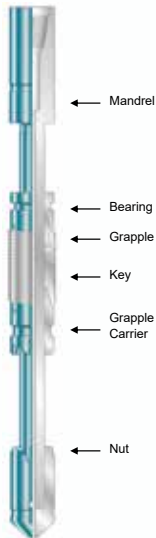
# Fishing Bumper Sub



- “Hex” Mandrel
- Hydrostatically balanced (Well Fluid in tool)
- Standard stroke length is 20”.

# Smooth-Bore Packer Retriever

- Engages packer with tubing or extension on bottom.
- Allows milling of entire packer.
- Releasable.



# The Knuckle Joint

- ✓ is used to very good advantage in all fishing operations; either in cased holes that are greatly larger than the fish, or in open holes.
- ✓ The Knuckle Joint may be used with any fishing tool. It is particularly useful when running Bowen Overshot's Releasing Spear, Taper ....
- ✓ In cases where the top of the fish is in a cavity, and the fishing tool cannot be lowered over the fish, the knuckling action produced by the Knuckle Joint will add lateral reach to the fishing tool the area in which the fishing tool can

